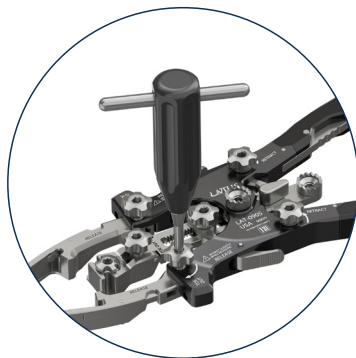


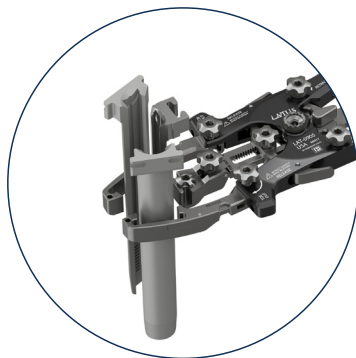
LATTUS

LATERAL ACCESS SYSTEM
SALES BROCHURE

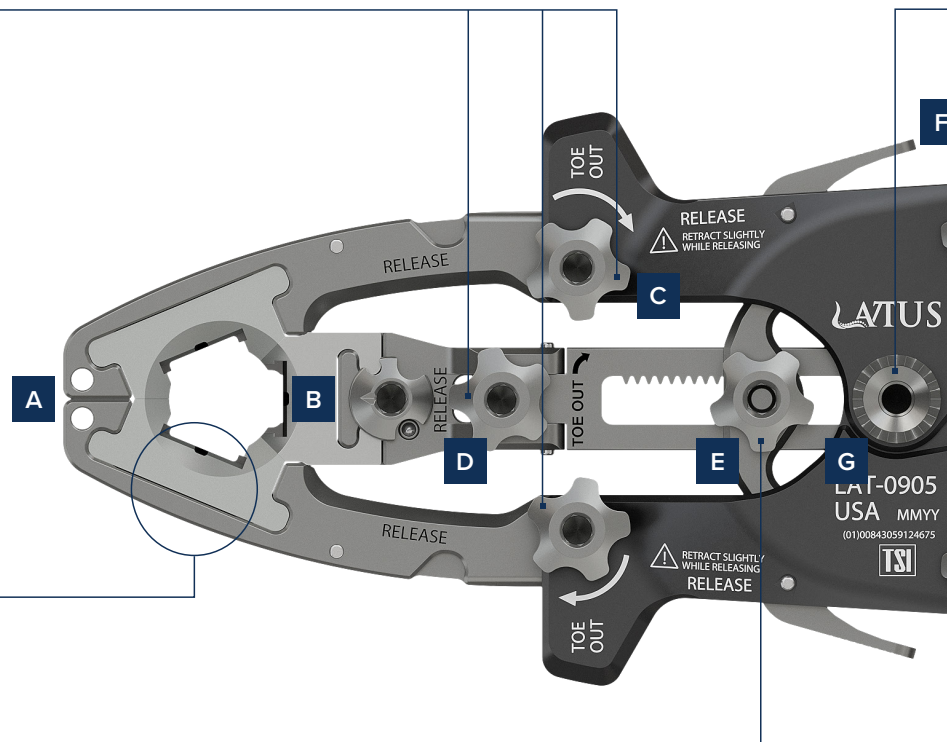
The **Lattus Lateral Access System** redefines the standard of care through its unwavering stability, boundless versatility, and effortless ease of use. With the addition of SeaSpine's streamlined disc prep instrumentation, and ability to facilitate implantation of our lateral interbodies and plates, such as Regatta®, Regatta Lateral Plate, and WaveForm® L, Lattus optimizes the lateral procedure.



Three blade toeing and sweeping capability for optimal exposure*



Top loading blades for efficient assembly

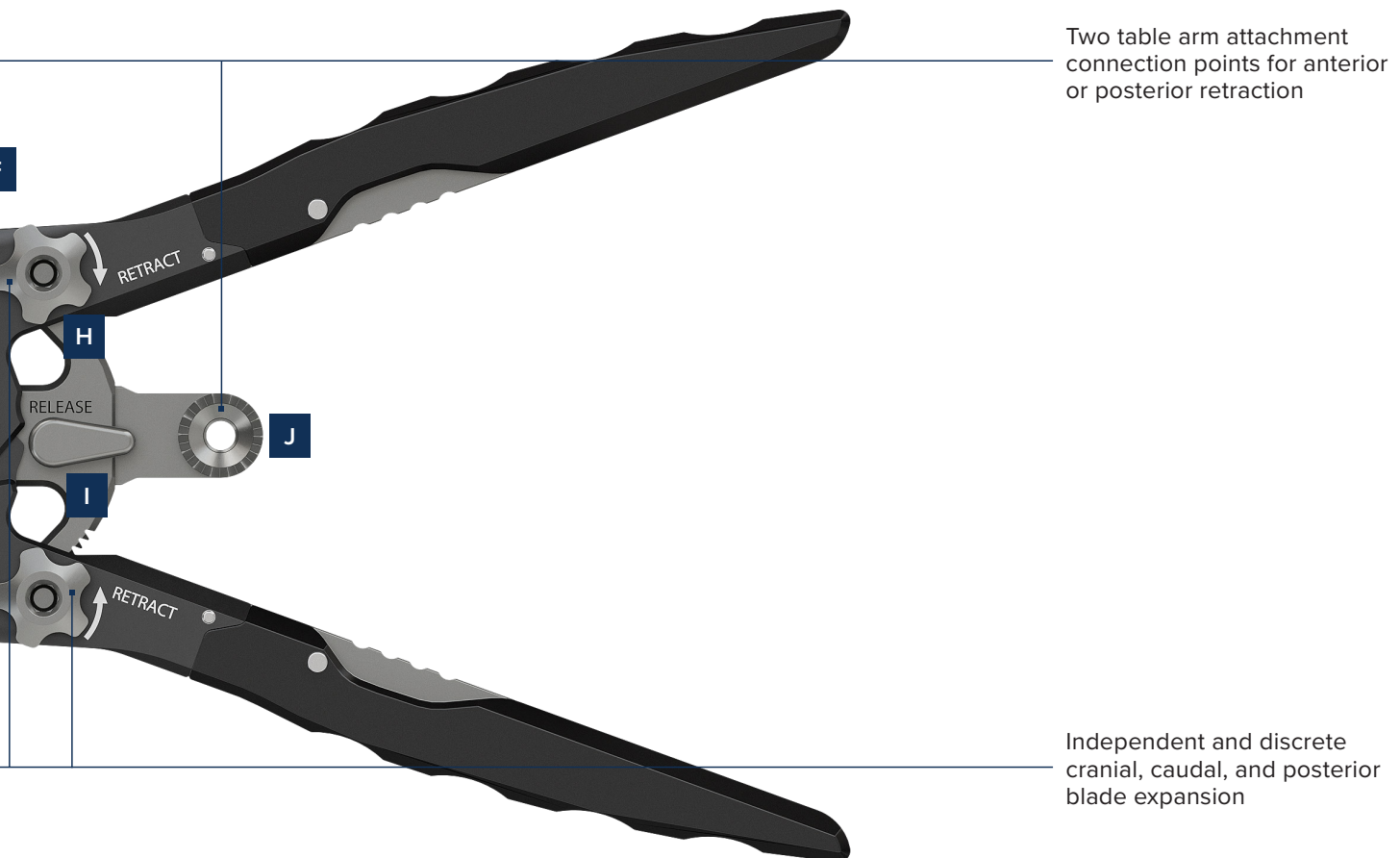


- A. Cranial and caudal blades
- B. Posterior blade
- C. Cranial and caudal blade pivoting knobs: knob to control degree of toe on the longitudinal blades
- D. Posterior blade pivoting knob: knob to control degree of toe on posterior blade*
- E. Incremental retraction knob for posterior blade: knob to incrementally retract posterior blade

*Only applicable to LAT-0905

SYSTEM FEATURES

- Aluminum alloy cranial caudal blades for visualization of relevant anatomy during fluoroscopy
- Stainless steel posterior blades with EMG stimulation capability
- Robust table arms' enhanced assembly provides greater stability and surgeon focus
- Ancillary 4th blades may be used to prevent anterior tissue creep
- Includes disposable items such as dilator kits, light cables, stimulation instruments, k-wires, and shims



- F. Cranial and caudal blade release lever
- G. Arm attachment interface: attach arm to retractor frame to enable posterior retraction
- H. Incremental retraction knob for cranial and caudal blades: knob to incrementally retract cranial and/or caudal blade
- I. Posterior blade release lever
- J. Arm attachment interface: attach arm to retractor frame to enable anterior retraction

PROCEDURAL SOLUTIONS

DIFFERENTIATED AND COMPLEMENTARY TECHNOLOGIES

Mariner®
Posterior Fixation System

Regatta® Plate
Lateral Fixation System


WaveForm® L
Lateral Lumbar Interbody



OsteoStrand® Plus
100% Demineralized
Bone Fibers with
Accell® Bone Matrix

Regatta®
Lateral Lumbar Interbody
featuring NanoMetalene®

For more information or to place an order, please contact:
TEL 866.942.8698 | FAX 877.558.6227
customerservice@seaspine.com | seaspine.com

 **SeaSpine Orthopedics Corporation**
5770 Armada Drive
Carlsbad, CA 92008 USA
TEL 760.727.8399 USA | FAX 760.727.8809

 **ORTHOFIX®** |  **SeaSpine**

Outside USA
TEL + 1.760.727.8399 | FAX + 1.760.727.8809
INTERNATIONAL INQUIRIES intlcustomer@seaspine.com

Warning: Applicable laws restrict these products to sale by or on the order of a physician. SeaSpine, Orthofix, their respective logos, Accell, Mariner, NanoMetalene, OsteoStrand, Regatta, and WaveForm are trademarks or registered trademarks of Orthofix Medical Inc. and/or its affiliate companies. © SeaSpine Orthopedics Corporation. 12/2023. All rights reserved. D0005683C 02