

NORTHSTAR[®] OCT

POSTERIOR CERVICAL FUSION SYSTEM
SALES BROCHURE

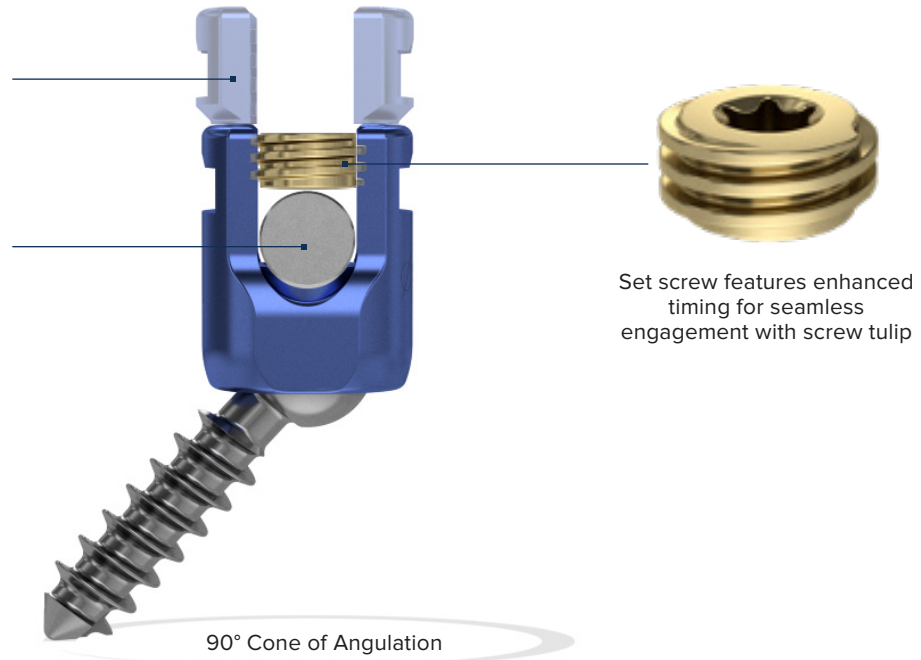
DESIGN RATIONALE

The **SeaSpine® NorthStar® OCT System** is a comprehensive posterior cervical fixation solution that features innovative implants combined with multi-functional instrumentation to provide surgeons with a safe and effective solution that can improve surgical flow and deliver value when navigating complex procedures.

Enhanced Angulation Streamlining Implant Placement

Extended Tab Screw provides 5mm of reduction to aid in distributing the load sequentially over multiple screws

Poly Screws accommodate 3.5 and 4.0mm rods for construct strength and versatility



Multiple Reduction Options Available



Axial Reducer



Pistol Reducer

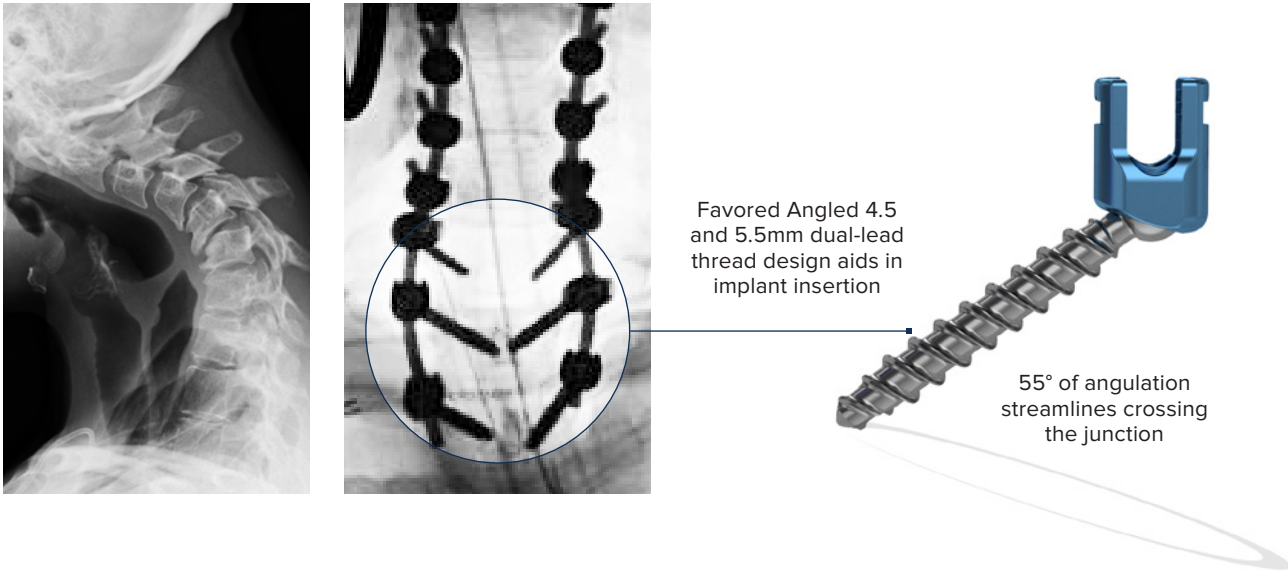


Rod Rocker

NORTHSTAR[®] OCT

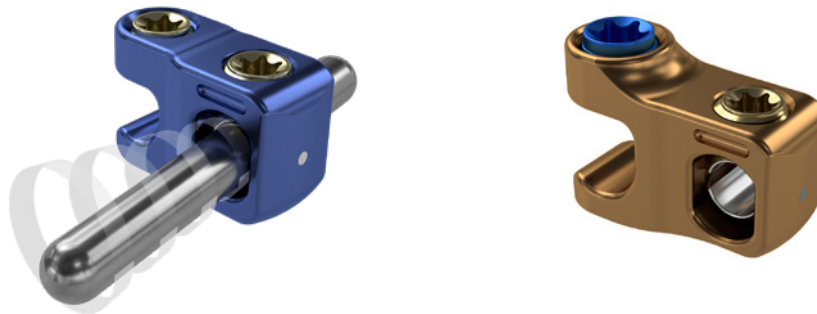
POSTERIOR CERVICAL FIXATION SYSTEM

Seamless Construct Transitions

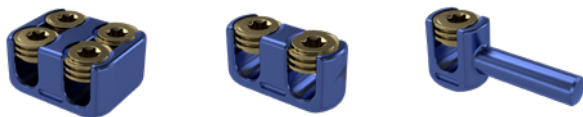


Optimized Implants Provide Construct Versatility

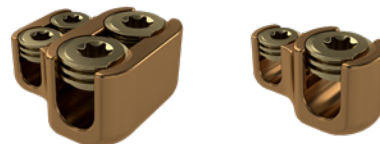
Variable gimbal transition implants simplify rod coupling.



Accommodates up to four rod sizes with fewer transition implants.



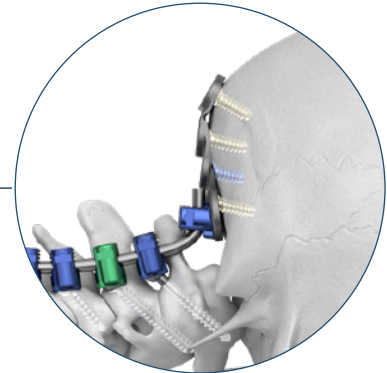
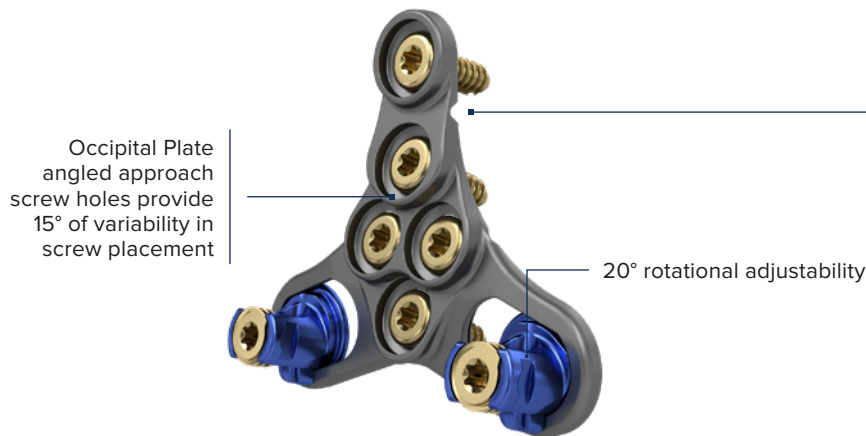
3.5/4.0mm to 3.5/4.0mm rods



3.5/4.0mm to 5.5/6.0mm rods

OCCIPITAL FIXATION SIMPLIFIED

WITH MAXIMIZED FUNCTIONALITY



3 bend zones for easy plate contouring*

DTS Guide and Angled Driver provide efficiency in occipital fixation

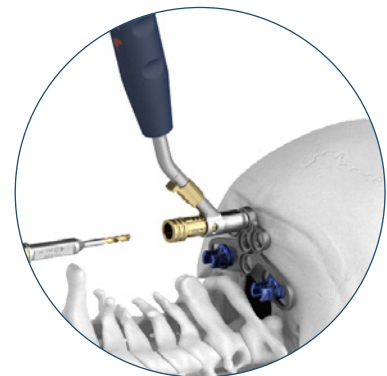
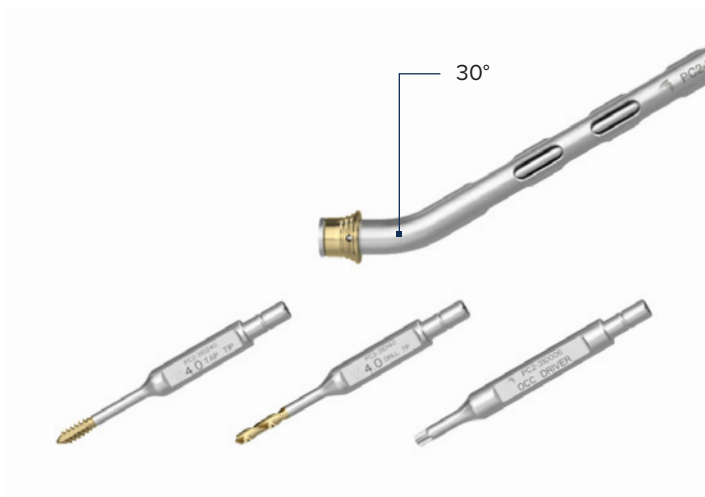


Plate retaining feature, giving the surgeon full control

*For small and large occipital plates.

For more information or to place an order, please contact:
TEL 866.942.8698 | FAX 877.558.6227
customerservice@seaspine.com | seaspine.com

SeaSpine Orthopedics Corporation
5770 Armada Drive
Carlsbad, CA 92008 USA
TEL 760.727.8399 USA | FAX 760.727.8809



Outside USA
TEL +1.760.727.8399 | FAX +1.760.727.8809
INTERNATIONAL INQUIRIES intlcustomer@seaspine.com

Warning: Applicable laws restrict these products to sale by or on the order of a physician. SeaSpine, Orthofix, their respective logos, and NorthStar are trademarks or registered trademarks of Orthofix Medical Inc. and/or its affiliate companies. © SeaSpine Orthopedics Corporation. 8/2023 D0003022C 04